

BALDOR® • RELIANCE 

Product Information Packet

EHM4110T

40HP,1775RPM,3PH,60HZ,324T,1264M,TEFC,F1

| Part Detail | | | | | | | |
|-------------|--------|-------------|------------|-------------|--------|---------------|------------|
| Revision: | P | Status: | PRD/A | Change #: | | Proprietary: | No |
| Type: | AC | Elec. Spec: | 12WGY225 | CD Diagram: | CD0180 | Mfg Plant: | |
| Mech. Spec: | 12G122 | Layout: | 12LYG122 | Poles: | 04 | Created Date: | 12-05-2011 |
| Base: | RG | Eff. Date: | 09-16-2019 | Leads: | 9#8 | | |

| Specs | | | |
|---------------------------------|-------------------------|--------------------------------|-----------------------|
| Catalog Number: | EHM4110T | Heater Indicator: | No Heater |
| Enclosure: | TEFC | Insulation Class: | F |
| Frame: | 324T | Inverter Code: | Inverter Ready |
| Frame Material: | Iron | KVA Code: | J |
| Output @ Frequency: | 40.000 HP @ 60 HZ | Lifting Lugs: | Standard Lifting Lugs |
| Synchronous Speed @ Frequency: | 1800 RPM @ 60 HZ | Locked Bearing Indicator: | Locked Bearing |
| Voltage @ Frequency: | 460.0 V @ 60 HZ | Motor Lead Quantity/Wire Size: | 9 @ 8 AWG |
| | 230.0 V @ 60 HZ | Motor Lead Exit: | Ko Box |
| XP Class and Group: | None | Motor Lead Termination: | Flying Leads |
| XP Division: | Not Applicable | Motor Type: | 1264M |
| Agency Approvals: | UR | Mounting Arrangement: | F1 |
| | CSA EEV | Power Factor: | 82 |
| | CSA | Product Family: | General Purpose |
| Auxillary Box: | No Auxillary Box | Pulley End Bearing Type: | Ball |
| Auxillary Box Lead Termination: | None | Pulley Face Code: | Standard |
| Base Indicator: | Rigid | Pulley Shaft Indicator: | Standard |
| Bearing Grease Type: | Polyrex EM (-20F +300F) | Rodent Screen: | None |
| Blower: | None | Shaft Extension Location: | Pulley End |

| | | | |
|---------------------------------------|---------------------------|------------------------------------|--------------------------|
| Current @ Voltage: | 102.000 A @ 208.0 V | Shaft Ground Indicator: | Mounting Provisions Only |
| | 48.000 A @ 460.0 V | Shaft Rotation: | Reversible |
| | 96.000 A @ 230.0 V | Shaft Slinger Indicator: | No Slinger |
| Design Code: | A | Speed Code: | Single Speed |
| Drip Cover: | No Drip Cover | Motor Standards: | NEMA |
| Duty Rating: | CONT | Starting Method: | Direct on line |
| Electrically Isolated Bearing: | Not Electrically Isolated | Thermal Device - Bearing: | None |
| Feedback Device: | NO FEEDBACK | Thermal Device - Winding: | None |
| Front Face Code: | Standard | Vibration Sensor Indicator: | No Vibration Sensor |
| Front Shaft Indicator: | None | Winding Thermal 1: | None |
| | | Winding Thermal 2: | None |

| Nameplate NP2138L | | | | | | | | | | | |
|-------------------|--------------|----|----------|----------------|------------|------|---------|-----------|------|--------|------|
| CAT.NO. | EHM4110T | | | P/N | | | | ENCLOSURE | TEFC | | |
| SPEC. | 12G122Y225G1 | | CC | 010A | FRAME | 324T | | S/N | | | |
| HP | 40 | | | CLASS | F | HZ | 60 | | | | |
| RPM | 1775 | | PH | 3 | DES | A | | | | | |
| VOLT | 230/460 | | | KVA-CODE | J | | ODE BRG | 6311 | | DE BRG | 6312 |
| AMP | 96/48 | | | USABLE AT 208V | 102 | | | | | | |
| RATING | 40C AMB-CONT | | | GREASE | POLYREX EM | | | | | | |
| NEMA-NOM-EFF | 94.1 | PF | 82 | SER.F. | 1.15 | | | | | | |
| HTR-VOLTS | | | HTR-AMPS | | | | | | | | |

| Parts List | | |
|---------------|---|----------|
| Part Number | Description | Quantity |
| SA235200 | SA 12G122Y225G1 | 1.000 EA |
| RA222162 | RA 12G122Y225G1 | 1.000 EA |
| 09FN3001B03SP | EXTERNAL FAN, PLASTIC | 1.000 EA |
| 10CB3001 | CONDUIT BOX CAST W/2.500 LEAD HOLE | 1.000 EA |
| 09GS1000SP | GASKET-CONDUIT BOX, 1/16 THICK LEXIDE | 1.000 EA |
| 10XN3118K12 | 5/16-18 X .75 GRADE 5, ZINC PLATED | 4.000 EA |
| HW1001A31 | LOCKWASHER 5/16, ZINC PLT.591 OD, .319 I | 4.000 EA |
| WD1000B25 | GND LUG, BURNDY L125HP OR T&B L125HP-BB | 1.000 EA |
| 19XW3118G08 | .31-18X.50,HEX WSHR HD,TAPTITE 2,GREEN | 1.000 EA |
| 12EP1107A05 | FR ENDPLATE, MACH 324-6T | 1.000 EA |
| HA3400A13 | STUD, 1/2-13 X 7" WELKER | 4.000 EA |
| HA4017A01 | 1/8 X 4 GREASE EXT (F/S) | 1.000 EA |
| HW1001A50 | LOCKWASHER 1/2, ZINC PLT.,.879 OD, .509 I | 4.000 EA |
| HW5100A13 | W4627-047 WVY WSHER | 1.000 EA |
| 10XN3118K36 | 5/16-18 X 2.25" HEX HD, GRADE 5 | 2.000 EA |
| HW1001A31 | LOCKWASHER 5/16, ZINC PLT.591 OD, .319 I | 2.000 EA |
| 12EP1106A69 | PU ENDPLATE, MACH | 1.000 EA |
| 10XN5013K28 | 1/2-13 X 1.75 HEX HEAD MACH SCREW,GRAD | 4.000 EA |
| HW1001A50 | LOCKWASHER 1/2, ZINC PLT.,.879 OD, .509 I | 4.000 EA |
| 10XN3118K40 | 5/16-18 X 2.50" HEX HD, GRADE 5 | 4.000 EA |
| HW1001A31 | LOCKWASHER 5/16, ZINC PLT.591 OD, .319 I | 4.000 EA |
| 12FH1002SP | FAN COVER, CAST | 1.000 EA |
| HW1001A50 | LOCKWASHER 1/2, ZINC PLT.,.879 OD, .509 I | 4.000 EA |
| XY5013A12 | NUT,1/2-13,HEX,STEEL,ZINCPLATED | 4.000 EA |

| Parts List (continued) | | |
|------------------------|--|----------|
| Part Number | Description | Quantity |
| 10CB3500SP | CONDUIT BOX LID, CAST | 1.000 EA |
| 10GS1000SP | GASKET, CONDUIT BOX LID | 1.000 EA |
| 51XW2520A12 | .25-20 X .75, TAPTITE II, HEX WSHR SLTD | 4.000 EA |
| HW2501H33 | KEY, 1/2 SQ X 3.875 | 1.000 EA |
| 84XN0540J08 | 5-40 X 1/2" SHCS, BLACK OXIDE | 2.000 EA |
| LB1115N | LABEL,LIFTING DEVICE (ON ROLLS) | 1.000 EA |
| MN416A01 | TAG-INSTAL-MAINT no wire (1200/bx) 3/19 | 1.000 EA |
| HW4500A35 | 1/8 NPT STEEL .50 HEX CAP | 1.000 EA |
| HW4500A20 | 1/8NPT SL PIPE PLUG | 1.000 EA |
| HA4054 | SHORT T-DRAIN FITTING, .125" N.P.T. | 1.000 EA |
| MJ1000A02 | GREASE, MOBIL POLYREX EM - 124047 | 0.200 LB |
| HW4500A20 | 1/8NPT SL PIPE PLUG | 2.000 EA |
| HA4054 | SHORT T-DRAIN FITTING, .125" N.P.T. | 1.000 EA |
| HW2500A25 | WOODRUFF KEY USA #1008 #BLOW CARBON STEE | 1.000 EA |
| 51XB1214A20 | 12-14X1.25 HXWSSLD SERTYB | 1.000 EA |
| MG1000G27 | MED CHARCOAL METALLIC GREY 400-0096 | 0.080 GA |
| 85XU0407S04 | 4X1/4 U DRIVE PIN STAINLESS | 4.000 EA |
| LB1119N | WARNING LABEL | 1.000 EA |
| LC0181 | CONNECTION LABEL | 1.000 EA |
| NP2138L | ALUM SUPER-E UL CSA-EEV PREM CC (300 | 1.000 EA |
| 12PA1000 | PACKAGING GROUP PRINT PK1024A06 | 1.000 EA |

AC Induction Motor Performance Data

Record # 53033 - Typical performance - not guaranteed values

| | | |
|-------------------------------|--------------------|------------------------|
| Winding: 12WGY225-R002 | Type: 1264M | Enclosure: TEFC |
|-------------------------------|--------------------|------------------------|

| Nameplate Data | | | | 460 V, 60 Hz: High Voltage Connection | |
|-----------------------|--------------|--------------|----|--|-------------------------|
| Rated Output (HP) | 40 | | | Full Load Torque | 118 LB-FT |
| Volts | 230/460 | | | Start Configuration | direct on line |
| Full Load Amps | 96/48 | | | Breakdown Torque | 413 LB-FT |
| R.P.M. | 1775 | | | Pull-up Torque | 192 LB-FT |
| Hz | 60 | Phase | 3 | Locked-rotor Torque | 205 LB-FT |
| NEMA Design Code | A | KVA Code | J | Starting Current | 370 A |
| Service Factor (S.F.) | 1.15 | | | No-load Current | 20.3 A |
| NEMA Nom. Eff. | 94.1 | Power Factor | 82 | Line-line Res. @ 25°C | 0.112 Ω |
| Rating - Duty | 40C AMB-CONT | | | Temp. Rise @ Rated Load | 49°C |
| S.F. Amps | | | | Temp. Rise @ S.F. Load | 58°C |
| | | | | Locked-rotor Power Factor | 26 |
| | | | | Rotor inertia | 8.53 LB-FT ² |

Load Characteristics 460 V, 60 Hz, 40 HP

| % of Rated Load | 25 | 50 | 75 | 100 | 125 | 150 | S.F. |
|-----------------|------|------|------|------|------|------|------|
| Power Factor | 45 | 66 | 76 | 82 | 83 | 85 | 83 |
| Efficiency | 89.8 | 93.7 | 94.6 | 94.8 | 94.3 | 94.2 | 94.5 |
| Speed | 1796 | 1791 | 1787 | 1783 | 1778 | 1772 | 1780 |
| Line amperes | 23.6 | 30.7 | 39.2 | 48.5 | 59.2 | 69.8 | 54.9 |

Performance Graph at 460V, 60Hz, 40.0HP Typical performance - Not guaranteed values

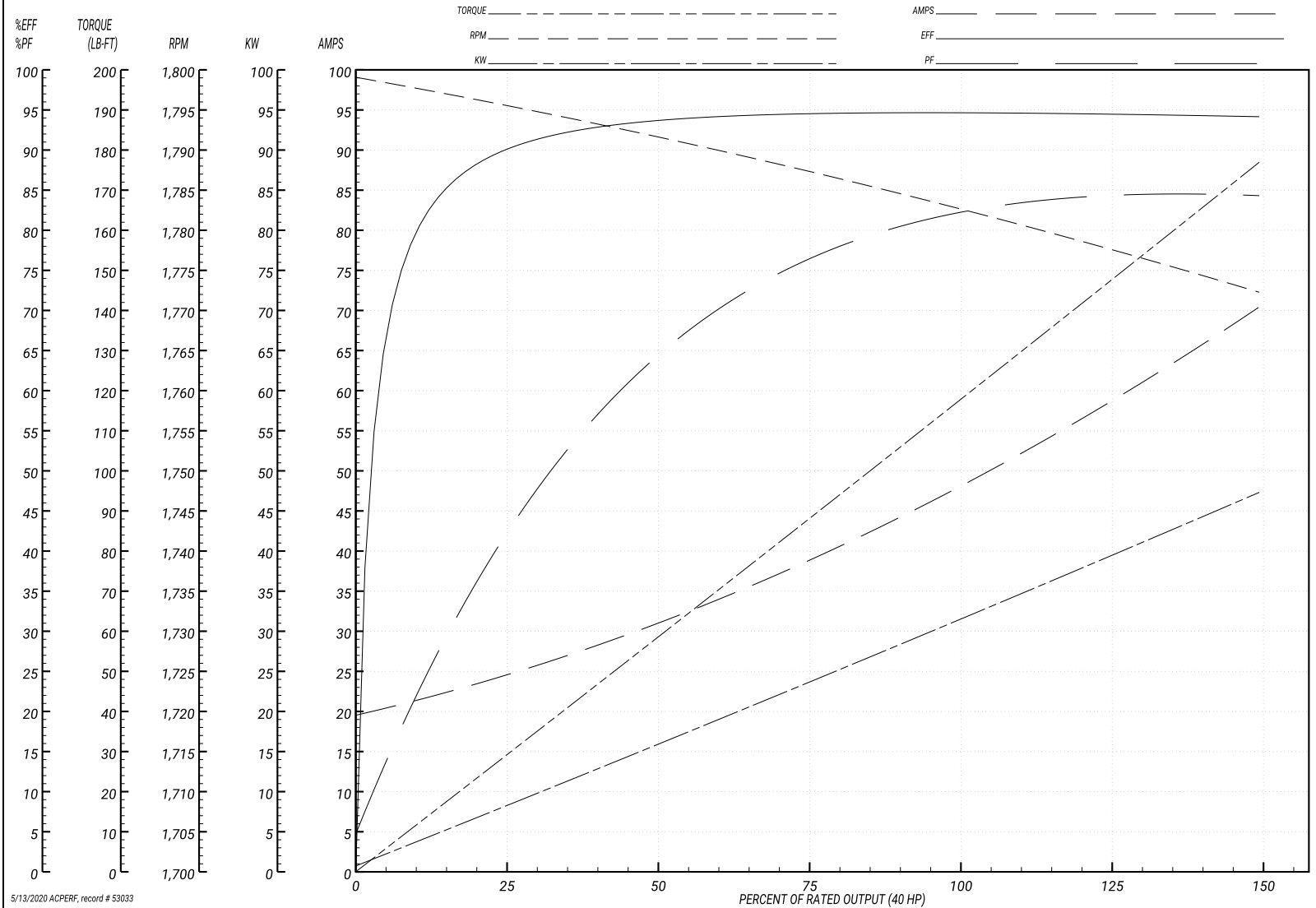
ABB Motors and Mechanical Inc.

WINDING # 12WGY225

Typical performance - not guaranteed values.

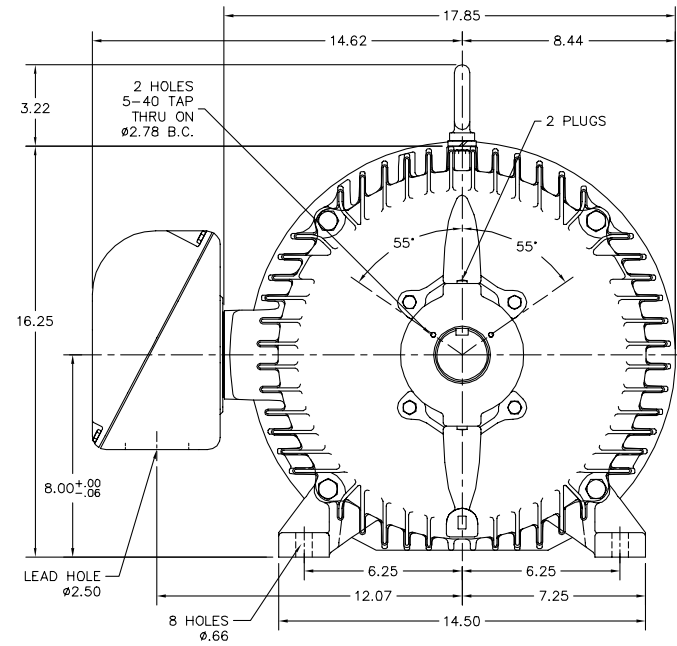
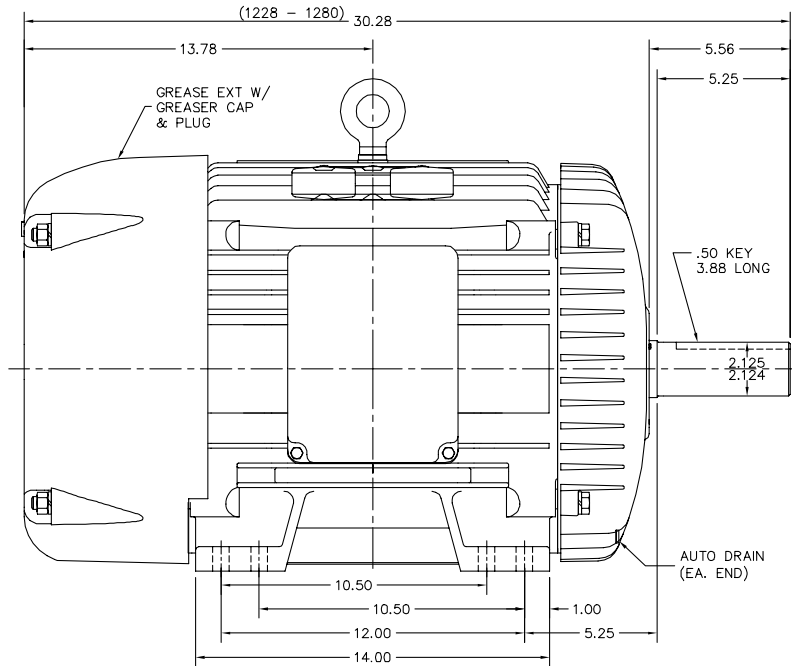
40 HP 3 PH 60 HZ 1775 RPM 460 V 1264M

TORQUES(LB-FT): PO=413 PU=192 LR=205 LRA=370



5/13/2020 ACPERF, record # 53033

12LYG122



12LYG122

CUSTOMER IS RESPONSIBLE FOR DETERMINING THAT BALDOR'S PRODUCT WILL PERFORM SUITABLY IN THE INTENDED APPLICATION.

| | | |
|---------------------------|------------------------------|-------------------|
| REV. DESC: REMOVE LOCKNUT | VERSION: 03 | TDR: 000000953592 |
| REV. LTR: C | REVISED: 01:34:26 11/16/2015 | BY: ENMARSO |
| FILE: \AAA\00175\435 | | |
| MTL: - | | |

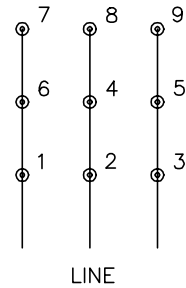
BALDOR

HORZ TEFC 324-6T W/1/2 RING SH GND MTG
SH 1 of 1

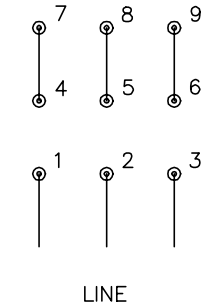
CD0180



LOW VOLTAGE
(2D)



HIGH VOLTAGE
(1D)



NOTES:

1. INTERCHANGE ANY TWO LINE LEADS TO REVERSE ROTATION.
2. OPTIONAL THERMOSTATS ARE PROVIDED WHEN SPECIFIED.
3. ACTUAL NUMBER OF INTERNAL PARALLEL CIRCUITS MAY BE A MULTIPLE OF THOSE SHOWN ABOVE.
4. LEAD COLORS ARE OPTIONAL. LEADS MUST ALWAYS BE NUMBERED AS SHOWN.

CD0180

| | | |
|-----------------------------------|------------------------------|-------------------|
| REV. DESC: ADD CLASS CONN00000007 | | |
| REV. LTR: D | VERSION: 01 | TDR: 000001099922 |
| FILE: \AAA\00005\148 | REVISED: 10:25:29 02/19/2019 | BY: ENBRIRO |
| MTL: - | © □ | |

BALDOR - RELIANCE®

3PH, DV, 9 LEADS, DELTA CONNECTION

SH 1 of 1

Marketing maintained PDF of MN416:

[MN416?ManNumber=MN416](#)